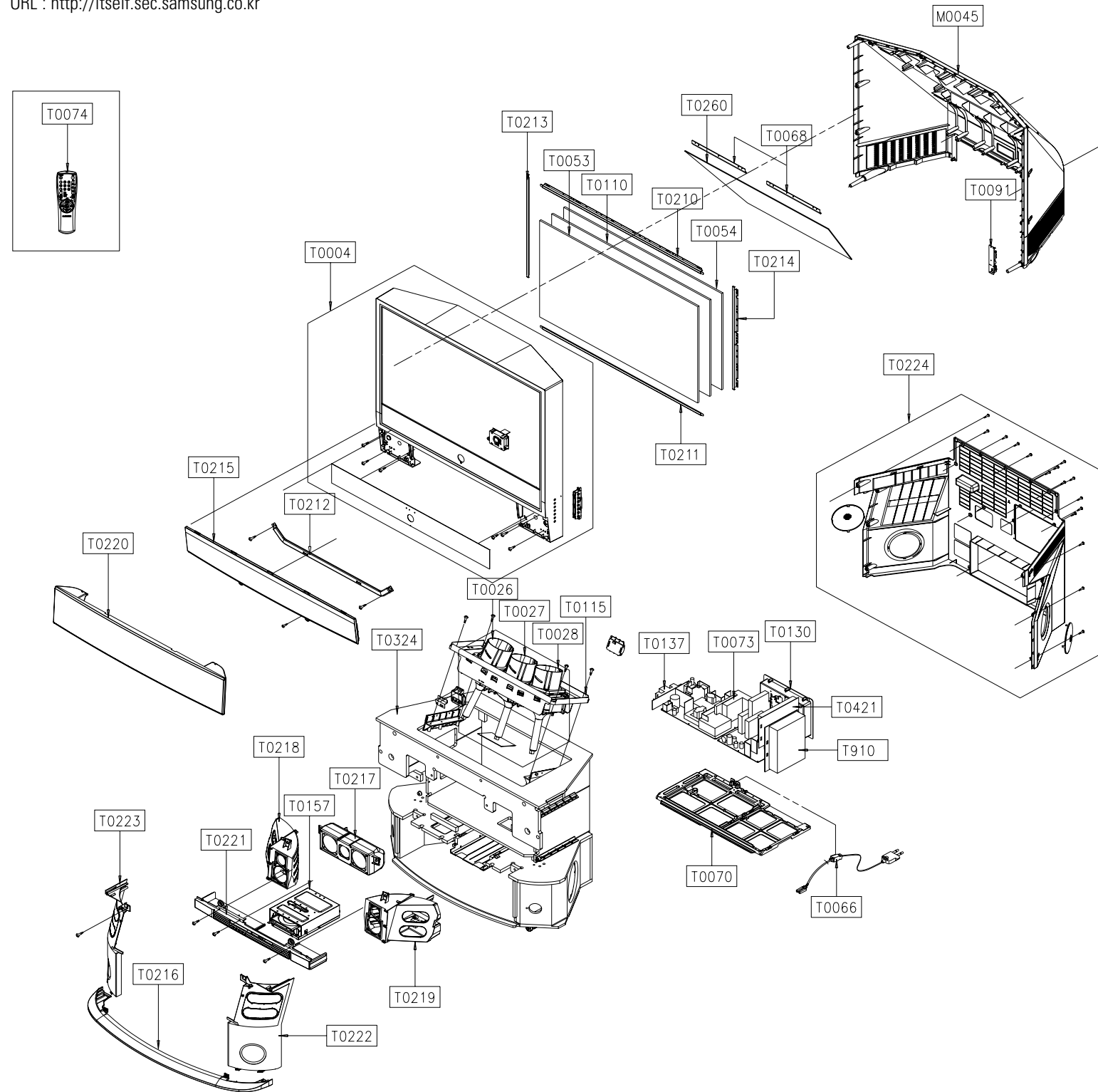


## 4. Exploded View & Parts List

### 4-1 HCP4363WX/XAA

You can search for the updated part code through ITSELF web site.  
URL : <http://itself.sec.samsung.co.kr>



Loc.No	Code No	Description;Specification	Q'ty	S.N.A
T0115	AA61-00475B	BRACKET-CRT,MAIN;54,SECC,T1.6,-,-,-,-	1	S.N.A
T0210	BP61-00234C	BRACKET-SCREEN TOP ASSY;43H3,SECC,T1.0	1	S.N.A
T0211	BP61-00235C	BRACKET-SCREEN BOT ASSY;43H3,SECC,T1.0	1	S.N.A
T0212	BP61-00468A	BRACKET-PANEL;43H3,SECC,1.6	1	S.N.A
T0214	BP61-00599A	BRACKET-SCREEN L ASSY;42S4,SECC,T1.0	1	S.N.A
T0213	BP61-00598A	BRACKET-SCREEN R ASSY;43H3,SECC,T1.0	1	S.N.A
T0215	BP63-00195A	COVER-CENTER SPK;43H3,HIPS,HB,GR503,SV01	1	S.N.A
T0216	BP63-00200B	COVER-FOOT;43H3,HIPS,V0,GR503,SV012P	1	S.N.A
T0053	BP67-00045B	SCREEN FRESNEL;43(W6),T2.0,978*563	1	
T0110	BP67-00046B	SUN SCREEN-AG;SUN SCREEN,AG,978*563,2T,T	1	
T0217	BP96-00465A	ASSY SPEAKER P-CENTER;8ohm,Center,20W,43	1	S.N.A
T0218	BP96-00466A	ASSY SPEAKER P-LEFT;8ohm,L-Front/Rear,20	1	S.N.A
T0219	BP96-00467A	ASSY SPEAKER P-RIGHT;8ohm,R-Front/Rear,2	1	S.N.A
T0004	BP96-00503D	ASSY COVER P-FRONT MASK;43H3,HIPS,HB,GR5	1	S.N.A
T0220	BP96-00504B	ASSY COVER P-PANEL FRONT;43H3,HIPS,V0,GR	1	
T0221	BP96-00505A	ASSY COVER P-PANEL DVD;43H3,HIPS,HB,GR50	1	S.N.A
T0222	BP96-00506B	ASSY COVER P-WOOFER R;43H3,HIPS,V0,GR503	1	S.N.A
T0223	BP96-00507C	ASSY COVER P-WOOFER LEFT;43H3,HIPS,V0,GR	1	S.N.A
T0324	BP96-00450A	ASSY COVER P-WOOD;43H3,SILVER,WOOD(NT)	1	S.N.A
T0054	BP67-00104B	SCREEN LENTI;SCREEN-LENTI,976*561,T=0.76	1	
T0068	BP61-00008A	BRACKET-MIRROR,ASSY;42W5,SECC,T1.0,01123	2	S.N.A
M0045	BP64-00350A	CABINET BACK-TOP;43H3,HIPS,HB,GR503	1	
T0224	BP64-00424A	CABINET BACK-BOT ASSY;43H3,HIPS,V0,GR503	1	
T0260	BP67-00101A	MIRROR-FRONT;FSM,GLASS,791*590*441*(67),	1	S.N.A
T0073	BP94-00557E	ASSY PCB MAIN;HCP4363WX/XAA,P61A	1	
T0421	BP94-01340A	ASSY PCB MISC-SUB POWER;HCP4363WX/XAA,P6	1	S.N.A
T0137	BP94-01341A	ASSY PCB MISC-LINE FILTER;HCP4363WX/XAA,	1	S.N.A
T0091	BP94-01339A	ASSY PCB MISC-A/V FRONT;HCP4363WX/XAA,P6	1	S.N.A
T0157	BP94-01492A	ASSY PCB MISC-M/DECK;HCP4363WX/XAA,P61A	1	S.N.A
T910	BP94-01490A	ASSY PCB MISC-SOUND;HCP4363,P61A	1	S.N.A
T0130	BP96-00387G	ASSY COVER P-TERMINAL ANT;P61A,HIPS,V0,B	1	
T0070	AA61-01127A	HOLDER-CHASSIS;COMMANDO,HIPS V0,G4309	1	S.N.A
T0066	AA96-00156D	ASSY POWER CORD;-EP2/YES(US),H/C 200MM,	1	S.N.A
T0026	BP91-01413A	ASSY CPT-R;42Q2,P59A	1	
T0027	BP91-01414A	ASSY CPT-G;42Q2,P59A	1	
T0028	BP91-01415A	ASSY CPT-B;42Q2,P59A	1	
T0074	BP59-00065A	REMOCON;TV-THEATOR, TM76A,47,SMV-3012,EA,	1	